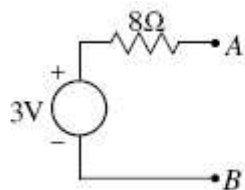


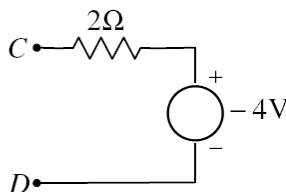
REŠENJA

1.

a)  $U_{TEV1} = 3V$ ;  $R_{TEV1} = 8\Omega$ .



b)  $U_{TEV2} = -4V$ ;  $R_{TEV} = 2\Omega$ .

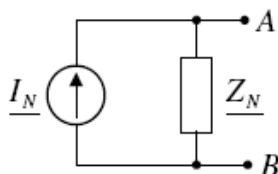


c)  $V_G = 5V$

d)  $U_{AD}=0$ , tako da je snaga koja se disipira na otporniku  $R_p$  nula, bez obzira na vrednost otpornosti  $R_p$ .

2.  $R_{EKV} = R_1 + (\beta + 1)R_2$

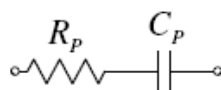
3. a)  $Z_N = 3 + j$   $I_N = 0.2 - j0.4$



b)  $Z_p = 3 - j$

$R_p = 3\Omega$

$C_p = 3.18\mu F$



c)  $S = 1/6 - j/18$

$P = 1/6W$

$Q = -1/18Var$

d)

$$i_p(t) = \frac{1}{3} A \cos(100000\pi t - 45^\circ)$$

4.

$$v_I = \begin{cases} 0, & 0 \leq V_{CC} < V_{BE} = 0.6V, & T - OFF, DZ - OFF \\ \frac{1}{2}(V_{CC} - V_{BE}), & 0.6V \leq V_{CC} < 2V_Z - V_{BE} = 9.4V, & T - DAR, DZ - OFF \\ V_Z - V_{BE}, & 9.4V \leq V_{CC} \leq 12V, & T - DAR, DZ - Z \end{cases}$$

5.

a)

$$V_G = V_{DD} \frac{R_{G1}}{R_{G2} + R_{G1}} - V_{DD} \frac{R_{G2}}{R_{G2} + R_{G1}} = 0$$

$$I_D = \frac{B_N}{2} (V_{GS} - V_{TN})^2$$

$$V_S = -V_{DD} + I_D R_S$$

$$I_D = \frac{B_N}{2} (V_G - V_S - V_{TN})^2 = \frac{B_N}{2} (V_G + V_{DD} - I_D R_S - V_{TN})^2$$

$$I_{D1} \approx 0.61 \text{mA} (V_{GS} \approx 3.78 > V_{TN})$$

$$I_{D2} \approx 1.64 \text{mA} (V_{GS} \approx 1.72 < V_{TN})$$

$$I_D = I_{D1}$$

b)

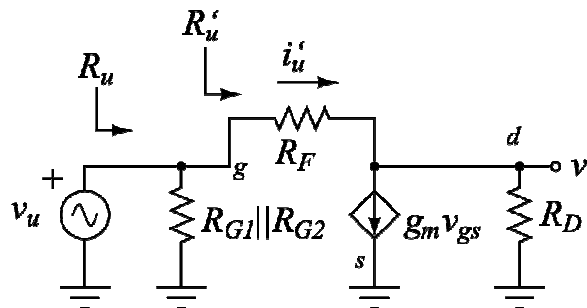
$$\frac{v_{gs} = v_u}{R_F} = g_m v_{gs} + \frac{v_i}{R_D} = g_m v_u + \frac{v_i}{R_D}$$

$$v_i = -\frac{R_D}{R_D + R_F} (g_m R_F - 1) v_u$$

$$A_v = \frac{v_i}{v_u} = -\frac{R_D}{R_D + R_F} (g_m R_F - 1)$$

$$R'_u = \frac{v_g}{i'_u} = \frac{v_g - v_i}{R_F} = \frac{R_F}{1 - A_v}$$

$$R_u = R_{G1} || R_{G2} || R'_u$$



c)

$$g_m = \sqrt{2I_D B_N} \approx 1.56 \text{mS}$$

$$R_F = \frac{R_D - A_v R_D}{A_v + g_m R_D} \approx 8.9 \text{k}\Omega$$

$$R_u \approx 1.04 \text{k}\Omega$$

6. a)  $I_1 = I_C + 3I_B = 1.03 \text{mA}$

b)

$$g_{m5} = g_{m6} = g_m = \sqrt{2BI_{D5}} = \sqrt{2B \frac{I_1}{2}} = 1 \text{mS}$$

$$g_{m4} = \sqrt{2BI_{D4}} = \sqrt{2BI_1} = 1.41 \text{mS}$$

c)

$$V_P = 0 = V_{CC} - R_{DP} I_{D4} \rightarrow R_{DP} = 12 \text{k}\Omega$$

$$V_{GS4} = V_{TH} + \sqrt{2I_{D4} / B} = 2.41 \text{V} \rightarrow V_{G4} = -1.59 \text{V} = V_{CC} - R_D I_{D5}$$

$$R_D = -1.59 \text{V} = (V_{CC} + 1.59 \text{V}) / I_{D5} = 27.18 \text{k}\Omega$$

d) Kako se radi o dva pojačavača redno vezana, diferencijalnog i sa zajedničkim sorsom pojačanje iznosi:

$$a = g_m \frac{R_D}{2} \cdot (-g_{m4} R_{DP}) = \frac{27.2}{2} (-1.41 \cdot 12) \approx -230$$

e) Ako je  $v_{g1} = 0.1 \text{mV} \cos \omega t$ , a  $v_{g2} = -0.2 \text{mV} \cos(\omega t + \pi / 6)$  efektivna vrednost napona  $v_p$

$$V_{g1} = 0.1\text{mV} / \sqrt{2}$$

$$V_{g2} = (-0.2\text{mV} / \sqrt{2}) \left( \cos \frac{\pi}{6} + j \sin \frac{\pi}{6} \right)$$

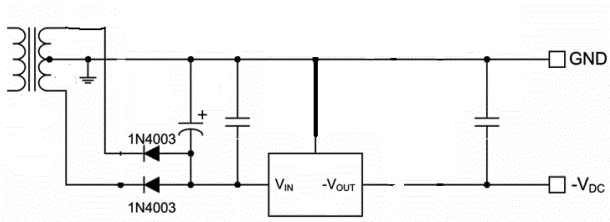
$$V_d = V_{g1} - V_{g2} = \frac{0.1\text{mV}}{\sqrt{2}} (\sqrt{3} + 2j) = V_d e^{j\varphi}$$

$$V_d = 0.1\text{mV} \cdot \sqrt{\frac{7}{2}} \approx 0.19\text{mV}$$

$$V_p = \frac{230}{a} V_d \approx 44\text{mV}$$

7.

a)



b) Pošto se beta kolo sastoji od pojačavača sa zajedničkim emiterom čije je pojačanje negativno, znači da je koeficijent beta negativan, pa se povratna sprega vraća na plus.

c)

$$P_{DZ} = 20\text{mW} = I_Z V_Z \Rightarrow I_Z = P_{DZ} / V_Z = 6.67\text{mA}$$

$$(10\text{V} - 3\text{V}) / R = 6.67\text{mA} \Rightarrow R = 1.05\text{k}\Omega$$

Napon sa zener diode se pojačava neinvertujućim pojačavačem čije je pojačanje  $1 + R_2 / R_1$ . Sleduje:

$$-3(1 + R_2 / R_1) = -5 \Rightarrow 3R_2 / R_1 = 2 \Rightarrow R_2 = 2\text{k}\Omega$$

d)

Na osnovu maksimalne disipacije:

$$P_{DZ \max} = 30\text{mW} = I_{Z \max} V_Z \Rightarrow I_{Z \max} = P_{DZ \max} / V_Z = 10\text{mA}$$

$$(|V_{u \min}| - 3\text{V}) / 1.05\text{k}\Omega = 10\text{mA} \Rightarrow V_{u \min} = -13.5\text{V}$$

Na osnovu granice zasićenja tranzistora:

$$V_{u \max} = -5\text{V} - V_{CES} = -5.2\text{V}$$